

# REOLINE

## Type REOLINE AC-GES/ Power Range 0.156 kVA...0.73 kVA

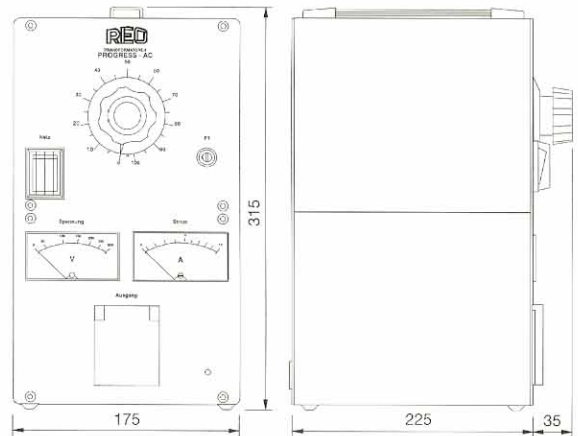
This range of units has the same technical specification as the REOLINE AC-GL, except for the additional output socket. This is provided for factory use, where a shared unit is required, providing a variable output voltage from a standard socket.

### Specification:

- 2 M long mains cable with plug
- Illuminated mains switch
- Toroidal transformer with a true zero volts setting
- Isolation transformer with switch-on surge limiter
- Fused secondary
- Analogue volt and ammeter for output

### Technical Data:

Supply Voltage	: 230 V, 50 / 60 Hz
Output Voltage	: 0...260 V
Output Current Range	: 0.6...2.8 A
Output Power	: 0.156...0.73 kVA
Connection Group	: li0
Enclosure Rating	: IP 40
Max. Ambient Temperature	: + 40 °C
Relating Standards	: EN 61010-1 / VDE 0411 Part 1



Size	0 - 260 V		Weight kg
	A	kVA	
M3	0.6	0.156	5.5
M4	0.85	0.22	6.6
M5	1.2	0.31	7.6
M6	2.0	0.52	8.8
M61	2.8	0.73	9.6