

Single-phase AC power supplies with separate windings



Type REOLINE AC-GES/ Power Range 0.78 kVA...2.08 kVA

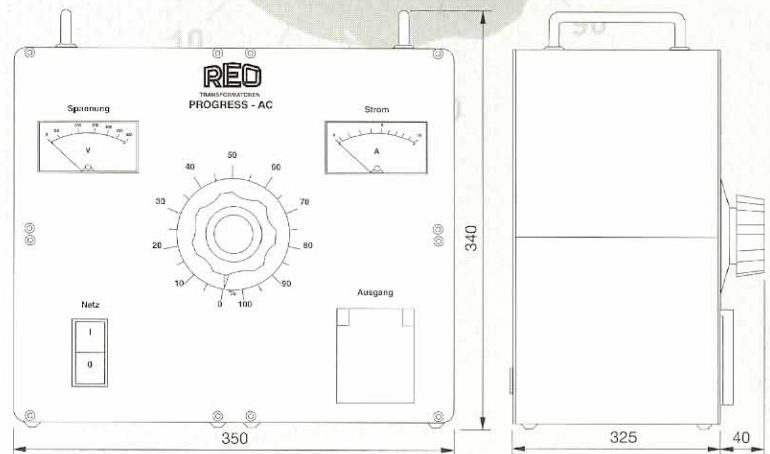
This range of units has the same technical specification as the REOLINE AC-GL, except for the additional output socket. This is provided for factory use, where a shared unit is required, providing a variable output voltage from a standard socket.

Specification:

- 2 M long mains cable with plug
- Mains switch with thermal overload trip
- Toroidal transformer with a true zero volts setting
- Isolation transformer with switch-on surge limiter
- Analogue volt and ammeter for output
- Laboratory-style, safety output sockets
- Carrying handles

Technical Data:

Supply Voltage	: 230 V, 50 / 60 Hz
Output Voltage	: 0...260 V
Output Current Range	: 3...8 A
Output Power	: 0.78...2.08 kVA
Connection Group	: li0
Enclosure Rating	: IP 40
Max. Ambient Temperature	: + 40 °C
Relating Standards	: EN 61010-1 / VDE 0411 Teil 1



Size	0 - 260 V		Weight kg
	A	kVA	
M7	3	0.78	13.2
M8	4.5	1.17	16.6
M9	6	1.56	20.0
M10	8	2.08	25.0