

# Single-phase AC power supplies with autowindings



## Type REOLINE AC-S/ Power range 1.56 kVA...3.12 kVA

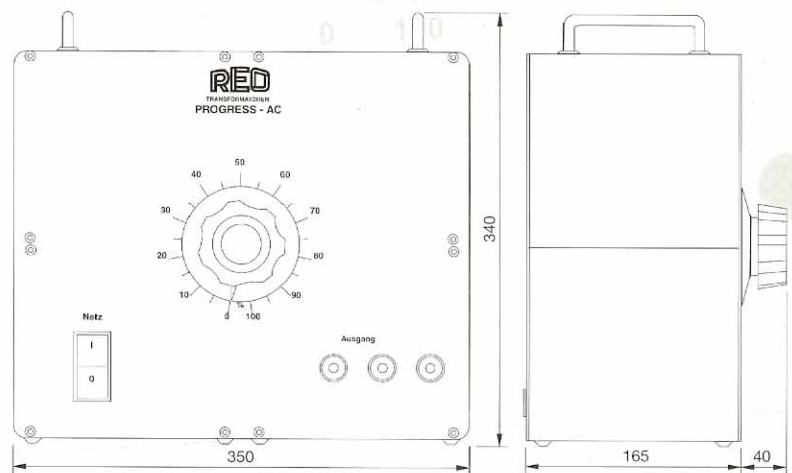
This range of laboratory units is required by today's engineering industry for laboratory, test, factory and service applications. The output range is infinitely variable 0...260 V. A no volts output is provided when the unit is adjusted to the zero position.

### Specification:

- 2 M long mains cable with plug
- Switch with thermal overload trip
- Toroidal transformer with a true zero volts setting
- Laboratory-style, safety output sockets
- Carrying handle

### Technical Data:

Supply Voltage	: 230 V, 50 / 60 Hz
Output Voltage	: 0...260 V
Output Current range	: 6...12 A
Power	: 1.56...3.12 kVA
Connection Group	: I0
Enclosure Rating	: IP 40
Max. Ambient Temperature	: + 40 °C
Relating Standards	: EN 61010-1 / VDE 0411 Part 1



Size	0 - 260 V		Weight
	A	kVA	kg
M9	6	1.56	9.2
M10	8	2.08	10.8
M11	10	2.6	11.2
M12	12	3.12	12.5