



REOLINE

Type REOLINE AC-SL/ Power Range 0.156 kVA...1.17 kVA

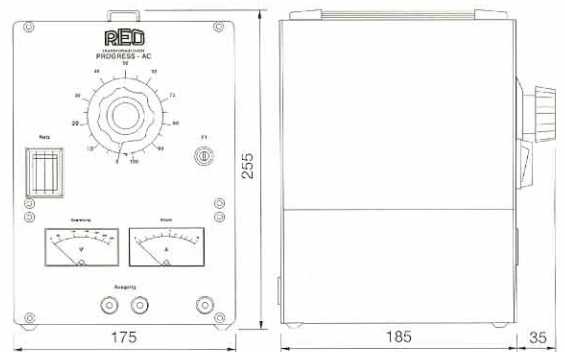
This range of units has the same technical specification as the REOLINE AC-S, except for the additional voltmeter and ammeter.

Specification:

- 2 M long mains cable with plug
- Illuminated mains switch
- Toroidal transformer with a true zero volts setting
- Fused secondary
- Analogue voltmeter and ammeter for output
- Laboratory-style, safety output sockets
- Carrying handle

Technical Data:

Supply Voltage	: 230 V, 50 / 60 Hz
Output Voltage	: 0...260 V
Output Current range	: 0.6...4.5 A
Output Power	: 0.156...1.17 kVA
Connection Group	: IO
Enclosure Rating	: IP 40
Max. Ambient Temperature	: + 40 °C
Relating Standards	: EN 61010-1 / VDE 0411 Part 1



Size	0 - 260 V		Weight kg
	A	kVA	
M3	0.6	0.156	2.2
M4	0.85	0.22	2.8
M5	1.2	0.31	3.3
M6	2.0	0.52	4.0
M61	2.8	0.73	4.3
M7	3.0	0.78	5.3
M8	4.5	1.17	6.6