

Single-phase AC power supplies with autowindings



Type REOLINE AC-SL/ Power Range 1.56 kVA...3.12 kVA

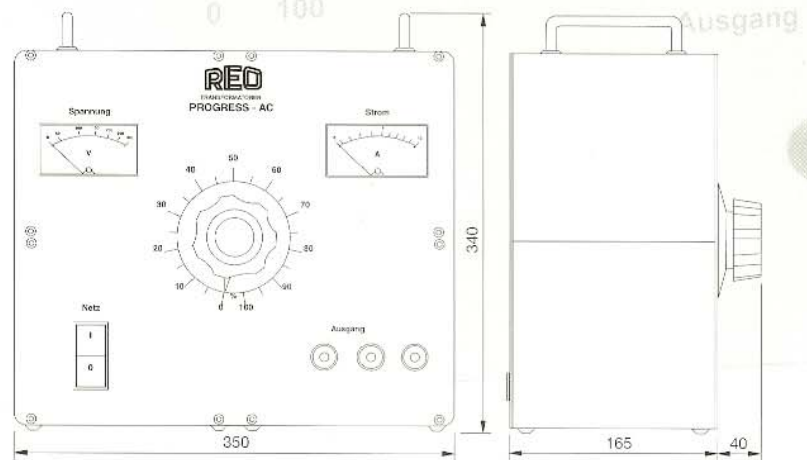
This range of units has the same technical specification as the REOLINE AC-S, except for the additional voltmeter and ammeter.

Specification:

- 2 M long mains cable with plug
- Mains switch with thermal overload trip
- Toroidal transformer with a true zero volts setting
- Analogue voltmeter and ammeter for output
- Laboratory-style, safety output sockets
- Carrying handle

Technical Data:

Supply Voltage	: 230 V, 50 / 60 Hz
Output Voltage	: 0...260 V
Output Current Range	: 6...12 A
Output Power	: 1.56...3.12 kVA
Connection Group	: I0
Enclosure Rating	: IP 40
Max. Ambient Temperature	: + 40 °C
Relating Standards	: En 61010-1 / VDE 0411 Part 1



Size	0 - 260 V		Weight kg
	A	kVA	
M9	6	1.56	9.4
M10	8	2.08	11.0
M11	10	2.6	11.4
M12	12	3.12	12.7