

REOLAB

Type REOLAB 19"G (Product Example)

This three-phase transformer combination is designed for simulating over/under voltages and supply variations in the laboratory or test room.

The output voltage is isolated from the mains and adjustable 200...270V.

The unit is equipped with a voltmeter and ammeter.

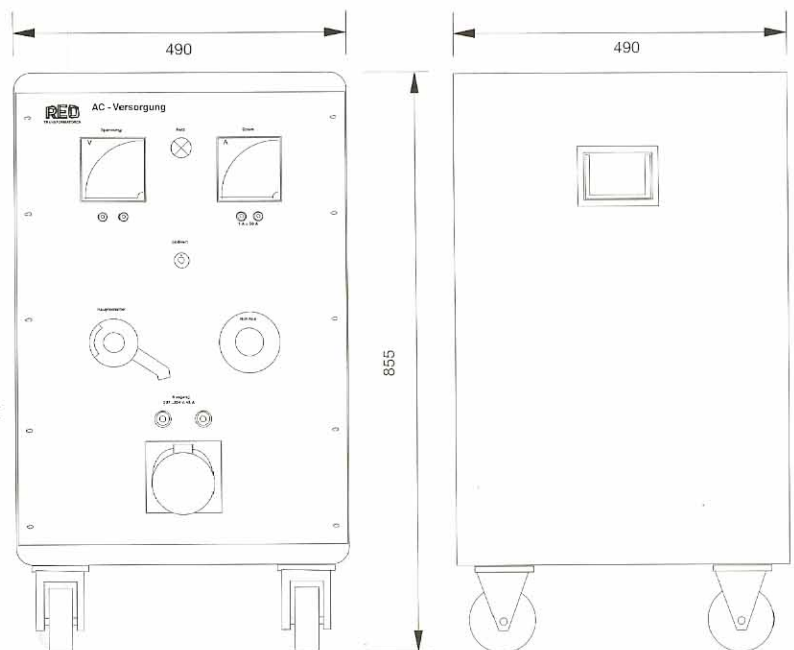
Specification:

- 3 M long mains cable
- Mains switch with thermal and magnetic trips
- Emergency stop button
- Electronic regulation
- Potentiometer for set-point adjustment
- Isolation transformer with switch-on surge limiter
- Analogue voltmeter and ammeter
- Measurement sockets for voltage and current
- Fused outputs
- Laboratory-style, safety output sockets and connector
- Wheels for mobility

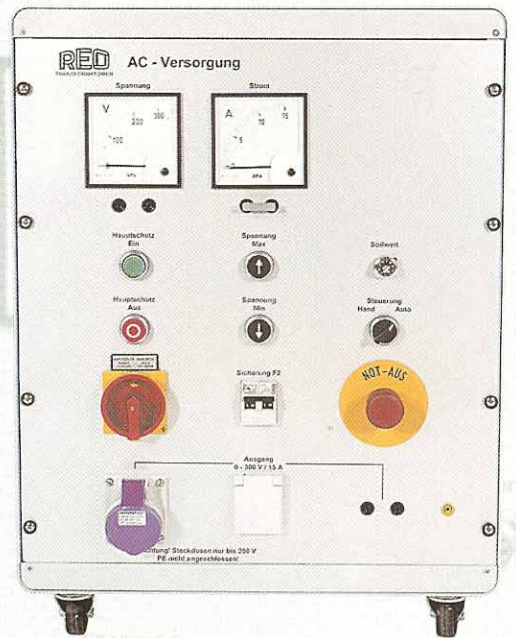
Technical Data:

Supply Voltage	: 230 V, 50 / 60 Hz
Output Voltage	: 200...270 V \pm 1.5%
Output Power	: 12.6 kVA
Enclosure Rating	: IP 20
Max. Ambient Temperature	: + 40 °C
Frequency	: 50 / 60 Hz

Other constructions on request.



Three phase AC power supplies with separate windings

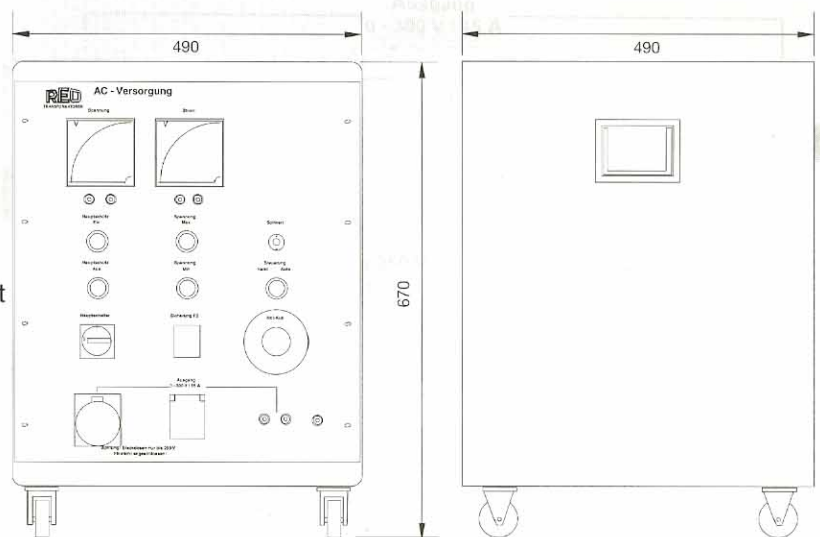


Type REOLAB 19" G (Product Example)

This three-phase transformer combination can be used for various applications in the laboratory or test room. The output voltage is isolated from the mains and infinitely variable 0...300V. The output voltage and current are displayed on analogue meters. The output voltage and current are displayed on analogue meters.

Specification:

- 3 M long mains cable
- Mains switch and primary trip
- Emergency stop
- Primary fuse
- Electronic regulation
- Set-point potentiometer
- Push buttons for manual voltage setting
- Analogue voltmeter and ammeter
- Measuring sockets for voltage and current
- Fused Secondary
- Safety laboratory-style sockets and output connector
- Wheels for mobility



Technical Data:

Supply Voltage	: 230 V, 50 / 60 Hz
Output Voltage	: 0...300 V \pm 1.5%
Output current	: 15 A
Power	: 4.5 kVA
Enclosure Rating	: IP 20
Max. Ambient Temperature	: + 40 °C
Related Standards	: EN 61010-1 / VDE 0411 Teil 1

Other constructions on request.