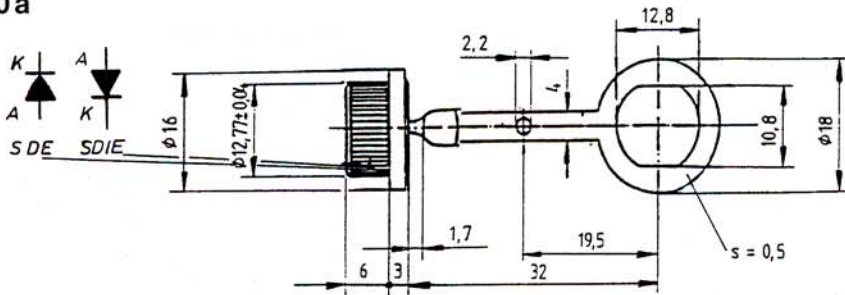


T_A = 25 °C

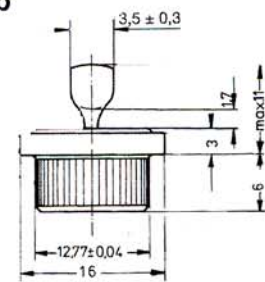
Diodyentyp	V _{RRM}	I _{FAVM}	I _{FRMS}	I _{FSM}	I _{2dt}	I _R	P _{RSM}	F _V /I _F	V _(TO)	r _F	T _{VJM}	R _{thJC}	W	Fig.
Type of diode	V	A	A	A	A2S	mA	kW	V/A	V	mΩ	°C	K/W	g	Nr.
Type de diode	V	A	A	TV	JM	mA	kW	V/A	V	mΩ	°C	K/W	g	Nr.
SDE 35/02	200	35	55	500	1250	0,25	-	1,17/75	0,86	4,5	200	1,0	10	10 a
+ 04	400													10 b
SDIE 07	700													
12	1200													
15	1500													

←————— Maximalwerte —————→
←————— typ. Werte —————→
←————— Maximalwerte —————→

10 a



10 b

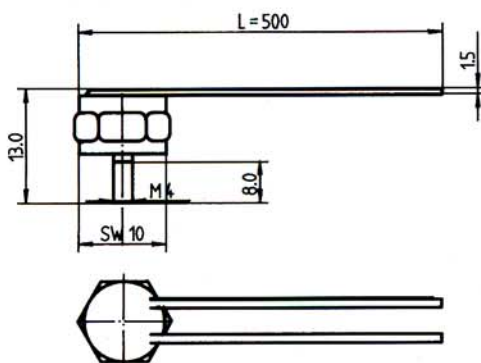


Thermoschalter / Thermal switches / Thermo rupteurs

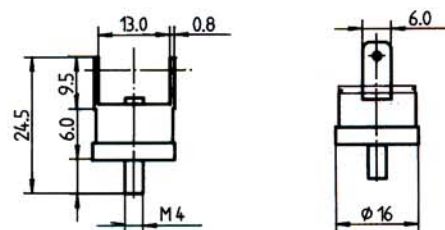
Type	Schalttemp.	Toleranz	max. Schaltstrom	Nennstrom	Nennspannung	Schutzklasse	Fig.
Type	Switching temp.	Tolerance	max. switching cur	Rated current	Rated voltage	Protection class	No.
Type	Température	Tolérance	max. courant d'enclenchement	Courant nominal	Tension nominale	Classe de protection	No.
	TW / °C	±K	A	A	V ~		
TÖ 090/05-1	90	5	16	10	250	1	11
100	100						
110	110						
TÖ 080/05-2	80	5	16	10	250	1	12
090	90						
112	112						
115	115						

T Thermoschalter Thermal switches Thermo rupteurs
 Ö Öffner Break contact Contact de rupture

11



12



Maße in mm / Dimensions in mm / Dimensions en mm